

D138

D138

Bronze Swing Check Valve with Metal Disc



PN25



GENERAL VALVES

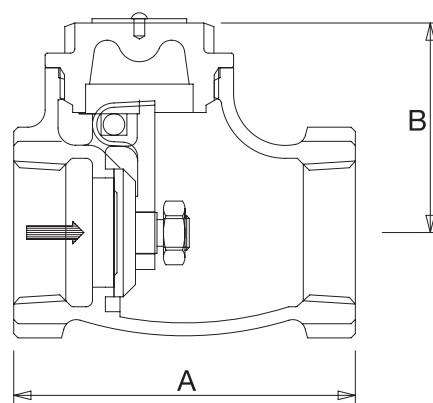
Features & Benefits

- Check valves permit flow in one direction only and close automatically if flow reverses.
- Bronze material of construction and robust design ensuring longevity
- Integral Bronze seats
- Full bore ensuring least resistance to flow

Materials

NO.	MATERIAL	SIZES
Body	Bronze BS EN 1982 CC491K	All
Cap	Bronze BS EN 1982 CC491K	All
Disc	Brass BS EN 12164 CW614N	$\frac{3}{8}$ - 1
Disc	Bronze BS EN 1982 CC491K	$1\frac{1}{4}$ - 3
Hinge	Bronze BS EN 1982 CC491K	All
Hinge Pin	Stainless Steel SS316	$\frac{3}{8}$ - 2
Hinge Pin	Brass BS EN 12164 CW614N	$2\frac{1}{2}$ & 3
Hinge Nut	Brass BS EN 12164 CW614N	All
ID Plate	Aluminium	All
Drive Pin	Steel - Electro Brassed	All
Hinge Pin Plug	Brass BS EN 12164 CW614N	$2\frac{1}{2}$ & 3

Dimensional Drawing



Dimensions & Weights

SIZE (inch)	WEIGHT (kg)	A (mm)	B (mm)	Kv
$\frac{3}{8}$	0.19	50	33	-
$\frac{1}{2}$	0.32	59	38	8.53
$\frac{3}{4}$	0.43	68	42	15.55
1	0.61	81.5	49	26.27
$1\frac{1}{4}$	1.01	93.2	56	46.49
$1\frac{1}{2}$	1.34	98.3	65	64.77
2	2.12	110.6	76	112.24
$2\frac{1}{2}$	4.08	155.6	98	164.53
3	5.76	190	99	254.05

Pressure/Temperature Ratings

TEMPERATURE (°C)	-10 to 100	110	120	186
PRESSURE (BAR)	25.0	23.4	21.8	10.5

Intermediate pressure ratings shall be determined by interpolation.

PRESSURE RATING: PN25

TEMPERATURE OPERATING RANGE: -10 to 186

UK END CONNECTION: Taper threaded to BS EN 10226-2 (ISO 7-1) formerly BS 21

US END CONNECTION: ANSI B1.20.1

(please add suffix AT to denote American Thread)

SPECIFICATION: Bronze Check Valves, Swing type, Full Bore, Bronze Cap & Seat. BSI Kitemark approved.

Valves are manufactured in accordance with BS5154:1991 PN25 for Series B ratings.

This valve is not suitable for use on Group 1 gases or unstable fluids, as defined by the Pressure Equipment Directive 2014/68/EU.*

LEAKAGE RATE: Rate B in accordance with BS EN 12266-1.

* See page 159 for more information

Valid as of 140921

Every effort has been made to ensure that the information contained in this publication is accurate at the time of publishing. Crane Ltd assumes no responsibility or liability for typographical errors or omissions or for any misinterpretation of the information within the publication and reserves the right to change without notice.