

D72

Globe Valve

PN32

D72



Features & Benefits

- Crane bronze globe valves are highly efficient for throttling because seat and disc designs provide flow characteristics with proportionate relationships between valve lift and flow rate
- Inlet and outlet at 90 degrees for specialist applications

Materials

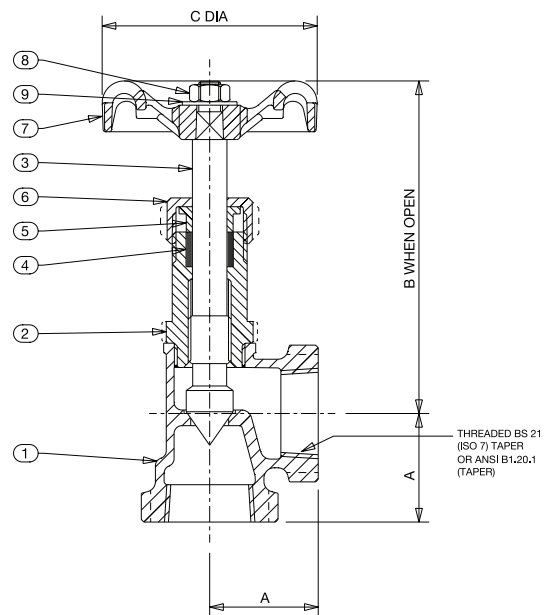
NO.	PART	MATERIAL	SIZES
1	Body	Bronze BS EN 1982 CC491K	-
2	Bonnet	Sil. Al. Bronze BS EN 12163 CW301G	1/8 - 3/8
2	Bonnet	Brass BS EN 12164 CW614N	3/4
3	Stem	Sil. Al. Bronze BS EN 12163 CW301G	-
4	Packing*	Asbestos Free	-
5	Gland	Brass BS EN 12164 CW614N	-
6	Packing Nut	Brass BS EN 12164 CW614N	-
7	Handwheel	Aluminium	-
8	Handwheel Nut	Brass BS EN 12164 CW614N	-
9	Identity Plate	Aluminium	-

*Recommended spares

Dimensions & Weights

SIZE (inch)	WEIGHT (kg)	A (mm)	B (mm)	C (mm)
1/8	0.13	29	74	44
1/4	0.15	39	73	44
3/8	0.21	45	77	44
1/2	0.29	51	91	52
3/4	0.46	58	104	65

Dimensional Drawing



PRESSURE RATING: PN32

TEMPERATURE OPERATING RANGE:

32 Bar at -10 to 100°C

14 Bar at 198°C

END CONNECTION: Threaded BS 21 or ANSI B1.20.1

SPECIFICATION: Valve are manufactured in accordance with BS 5154 PN32 for Series B ratings. The needle disk is an integral part of the stem, and body seat is integral.